

VisBox-HD™

Stereo HD Monitor



Key Features:

- 72"x40.5" screen, rear-projection unit
- Native HD (1920x1080) resolution
- 42" deep in use, 34" deep in transport
- Multi-use: mono, stereo
- Size is ideal for collaborative visualization
- Also available in a table version (VisBox-HDT)

The VisBox-HD™ is a large screen immersive 3D display. It features native HD resolution (1920x1080) projectors in a compact and portable enclosure. During transport, the system has a depth of only 34", allowing it to roll through doorways.

The VisBox-HD™ is designed for high resolution, stereo 3D collaborative visualization. It allows researchers to view their data in 3D with optimal image quality:

- **Rear projection.** Reduces ambient light issues, users cannot cast shadow onto screen.
- **Native 1920x1080p resolution.** Digital projectors with 3 chip LCOS technology produce cinema-quality picture with no visible grid and 2000:1 contrast ratio.
- **Circular polarization.** Excellent stereo separation at any head orientation. Efficient, achromatic polarization filters with no light loss!

In addition to having outstanding image quality, the system is compact and portable. It can be used in several different viewing configurations:

- **Group collaboration.** Small groups of people standing in front of display, working together.
- **Theater.** Add a couch and/or chairs for comfort during extended viewing sessions.
- **Workstation.** Slide a desk up to the display and use the system interactively as a large, high resolution stereo monitor.
- **Table.** The system is also available in a reclining table configuration (see back side of this brochure).

Have questions? Visit www.visbox.com.

Compatibility:

The VisBox-HD accepts two DVI digital inputs. The system can be run from a single computer and is compatible with a wide variety of system configurations, including:

- Linux workstation
- Windows workstation
- Apple workstation

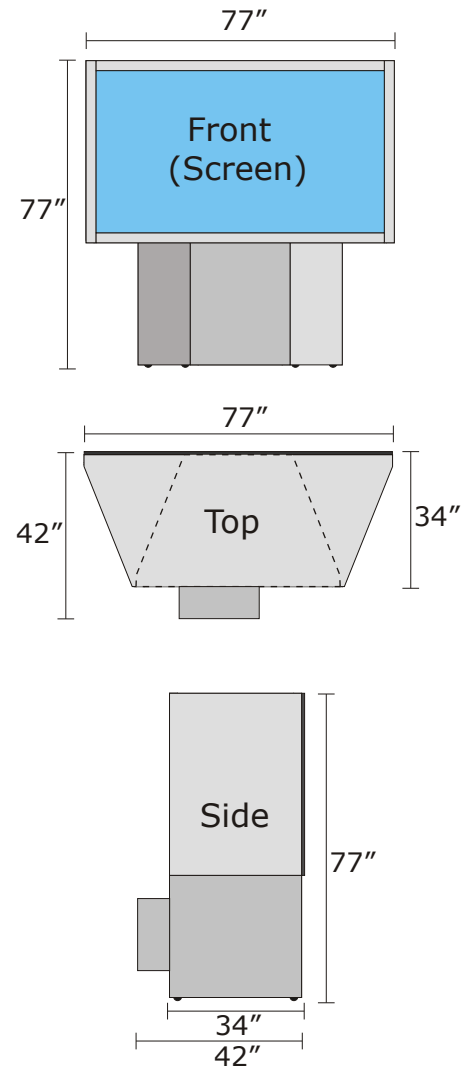


System Specifications

- Resolution: 1920 x 1080
- Screen size: 72"w x 40.5"h
- Footprint in use: 77"w x 77"h x 42"d
- Footprint in transport: 77"w x 77"h x 34"d

Includes:

- Two native HD (1920x1080p) projectors
 - Three chip LCOS
 - Cinema-quality picture with no visible grid
 - 2000:1 contrast
- DVI digital inputs (2)
- Free-standing enclosure with dual front-surface mirrors
- Hidden casters for portability
- Custom projector positioners
- Circular polarization filters and 10 pairs of glasses
- Video and power cabling
- Installed and calibrated on-site by Visbox, Inc.



VisBox-HDT™

Stereo HD Table



The VisBox-HDT™ model is a reclining table version of the VisBox-HD. The system can be adjusted to a range of angles and can also be fully uprighted in seconds, allowing it to roll through standard doorways.

Customer Spotlight

The National Center for Supercomputing Applications (NCSA) uses a VisBox-HD to view high resolution 3D visualizations of scientific phenomena. Shown here is a 3D rendering of an F3 tornado that was created by the visualization group at NCSA.

Information in this brochure is subject to change without any notice. For up-to-date information and to learn more about Visbox, Inc.'s various products and services, please visit our website at:

www.visbox.com



Visbox, Inc.
602 S Staley Rd, Unit C
Champaign, IL 61822 USA
217-355-8277
www.visbox.com
sales@visbox.com